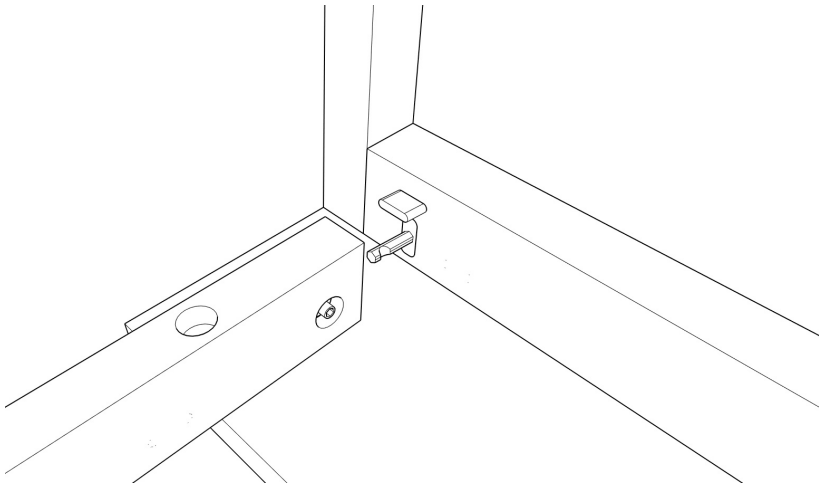


# essai

Same, Same  
Assembly instructions



- Put the structure upside down, on the foam it was shipped in.

- Assemble the stretchers with the legs by tightening the set screw with the provided 3mm allen key.

- Put the washer and screws in the holes of each stretchers.

- Make sure top parts are still aligned. Tighten the screws firmly with a phillips screwdriver.

- The stool is ready to be used, might need to tighten the screws from time to time.

